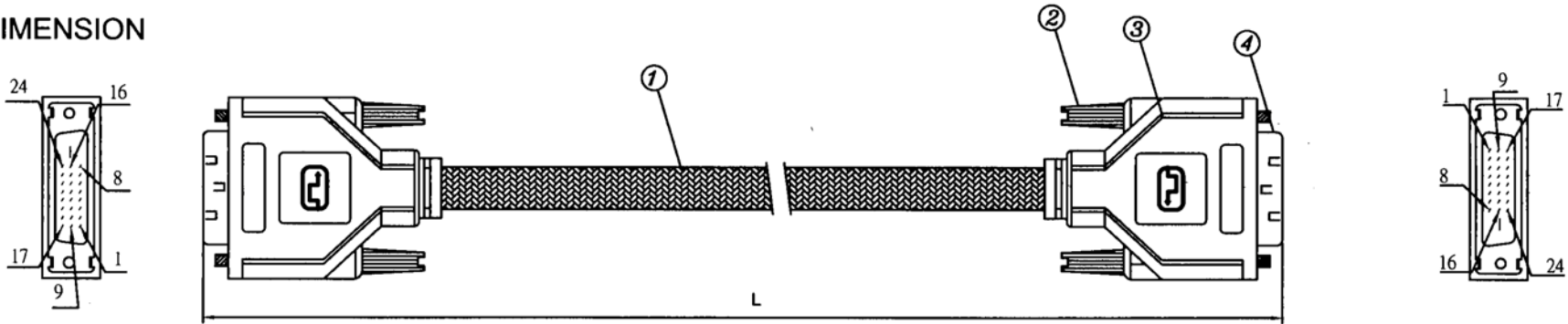
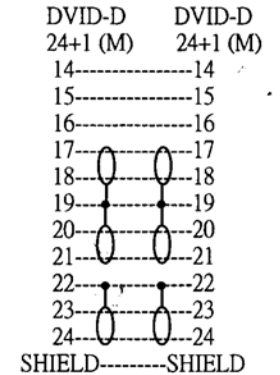
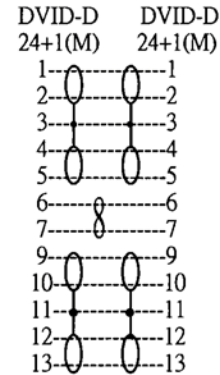


1. DIMENSION



NAME	L	NAME	L
DM24-96005-G3	500±20	DM24-96046-G3	15FT4576±100
DM24-96009-G3	3FT914±30	DM24-96050-G3	5000±150
DM24-96010-G3	1000±30	DM24-96076-G3	25FT7620±150
DM24-96015-G3	1500±50	DM24-960100-G3	10000±200
DM24-96018-G3	6FT1830±50	DM24-960107-G3	35FT10668±200
DM24-96020-G3	2000±50		
DM24-96025-G3	2500±50		
DM24-96027-G3	9FT2743±100		
DM24-96030-G3	3000±100		
DM24-96036-G3	12FT3658±100		

1-3 PINOUT:



1-1 NOTE:

- 1.100 %OPEN AND SHORT TESTING.
- 2.VOLTAGE : 500V DC
- 3.DIELECTRIC : 300V AC FOR 0.1s
- 4.INSULATION RESISTANCE : 10M ohm MIN
- 5.CONDUCTOR RESISTANCE : 3 ohm/M

1-2 PART LISTS

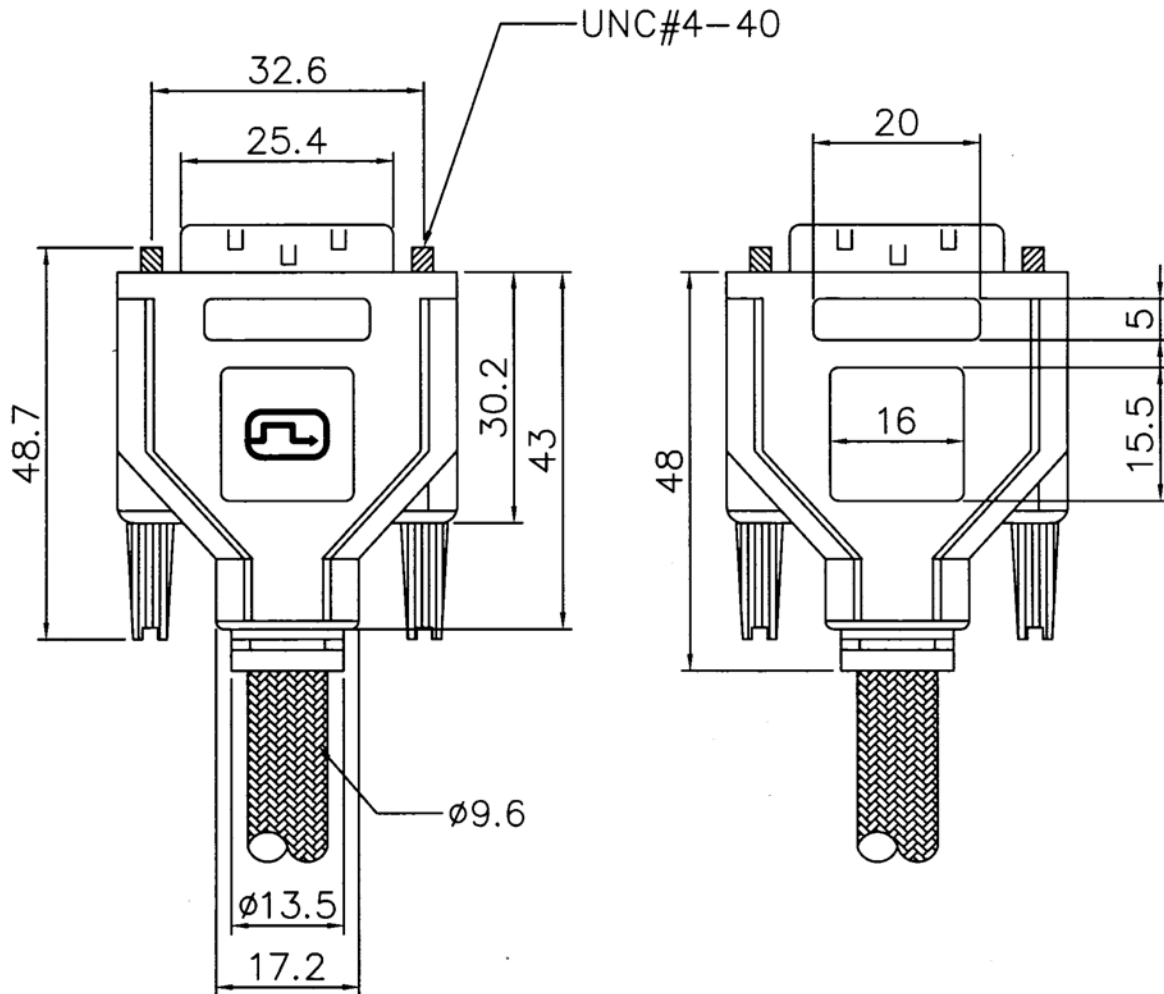
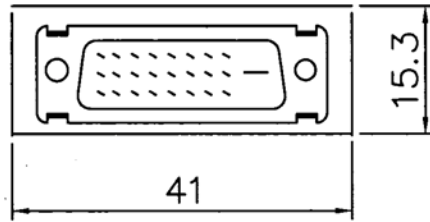
4	DVI-D 24PIN PLUG	BRASS GOLD PLATED
3	DVI PLUG CAP	PVC BLACK
2	DVI SCREW A'SSY	UNC#4-40 BRASS NICKEL PLATED BLACK
1	DVI DUAL CABLE Ø9.6	NYLON NET BLACK
NO.	PART'S NAME	MATERIAL. FINISHED. COLOR

REV : 1

www.Ruby-Electronics.com		PART NO DVI24-960xx-G3	
DESCRIPTION DVI24P DUAL LINK		CONNECTOR CABLE	
DRAWN NO. SP-1567		SHEET 1/4	

REV	REVISION	DATE	DESIGNED BY	CHECKED BY	APPROVED BY
04	11-11		許文勳	許文勳	許文勳
04	11-11		許文勳	許文勳	許文勳
04	11-11		許文勳	許文勳	許文勳
93	11-11		許文勳	許文勳	許文勳

2. DVI-18P PLUG DIMENSION



STS-3	
L ≤ 4	±0.2
4 < L ≤ 16	±0.3
16 < L ≤ 63	±0.4
63 < L ≤ 250	±0.5
250 < L	±0.7

名 DESCRIPTION.

DVI24P CONNECTOR CABLE

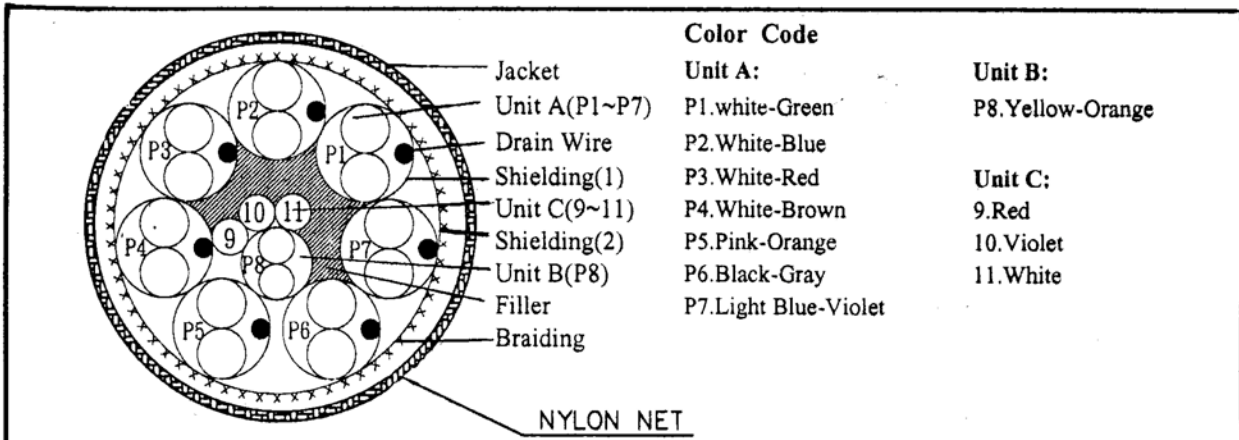
圖 DRAWN NO.

SP-1567

SHEET

2

3. CORD SPEC.



ITEM	DESCRIPTION			
	Unit A	Unit B	Unit C	
No. of Cond. 芯線數	7 Pairs 對	1 Pair 對	3 Conductor 條	
Conductor 導體	Material 材質	Tinned Copper Wire Stranded	Tinned Copper Wire Stranded	Tinned Copper Wire Stranded
	Construction 結構	28AWG; 7 strands / 0.127±0.008mm	28AWG; 7 strands / 0.127±0.008 mm	28AWG; 7 strands / 0.127 ±0.008mm
Insulation 絕緣	Material 材質	Foam PE + Skin	High Density Polyethylene	High Density Polyethylene
	Nom. Thickness 厚度	0.21 mm	0.16 mm	0.16 mm
	Nom. Diameter 外徑	0.96 ± 0.05 mm	0.70 ± 0.05 mm	0.70 ± 0.05 mm
Drain Wire 地線	Material 材質	Tinned Copper Wire 鍍錫銅絞線		
	Construction 結構	28AWG ; 7 strands / 0.127 mm		
Shielding(1) 隔離	Material 材質	FAM Spirally Wrapped		
	Coverage 遮蔽率	100% coverage with 25% overlapping		
Shielding(2) 隔離	Material 材質	Aluminium Mylar Spirally Wrapped		
	Coverage 遮蔽率	100% coverage with 25% overlapping		
Braiding 編織	Material 材質	Tinned Copper Wire 鍍錫銅線		
	Coverage 遮蔽率	85% Coverage		
Jacket 被覆	Material 材質	80°C PVC		
	Nom. thickness 厚度	0.40 mm		
	Nom. diameter 外徑	8.60 ± 0.20 mm / 9.6 mm		

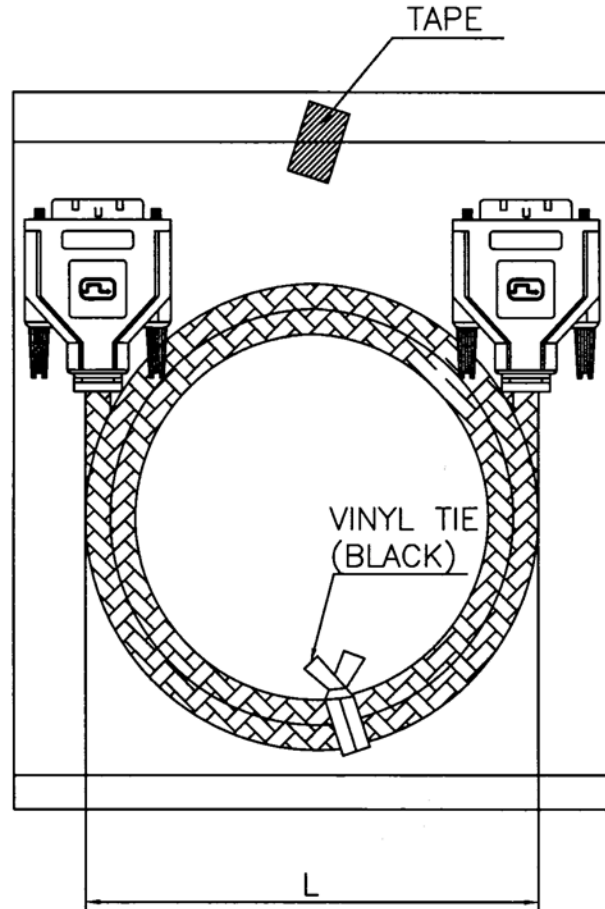
Marking 印字: E74020-C AWM STYLE 20276 80°C 30V VW-1 DVI DIGITAL DUAL LINK DER AN

ELECTRICAL PROPERTIES

ITEM	Unit A	Unit B	Unit C
Conductor Resistance 導體電阻	Max. 237 ohms/km at 20°C	Max. 237 ohms/km at 20°C	Max. 237 ohms/km at 20°C
Insulation Resistance 絕緣電阻	Min. 100 mega ohms-km at 20°C	Min. 100 mega ohms-km at 20°C	Min. 100 mega ohms-km at 20°C
Dielectric Test 耐電壓	500 VAC / 1 min NO Breakdown;	500 VAC / 1 min NO Breakdown;	500 VAC / 1 min NO Breakdown;
Impedance 特性阻抗	Nom. 100 ± 10 ohms		

名稱	DESCRIPTION. DVI24P CONNECTOR CABLE	圖號	DRAWN NO. SP-1567	SHEET 3
----	---	----	-----------------------------	-------------------

4. PACKAGE



NAME	L	NAME	L
DVI24-96005-G3	(90)	DVI24-96046-G3	(120)
DVI24-96009-G3	(110)	DVI24-96050-G3	(120)
DVI24-96010-G3	(120)	DVI24-96076-G3	(200)
DVI24-96015-G3	(120)	DVI24-960100-G3	(200)
DVI24-96018-G3	(120)	DVI24-960107-G3	(200)
DVI24-96020-G3	(120)		
DVI24-96025-G3	(120)		
DVI24-96027-G3	(120)		
DVI24-96030-G3	(120)		
DVI24-96036-G3	(120)		

名 稱	DESCRIPTION.	DVI24P CONNECTOR CABLE	圖 號	DRAWN NO.	SP-1567	SHEET 4

WM-49-04