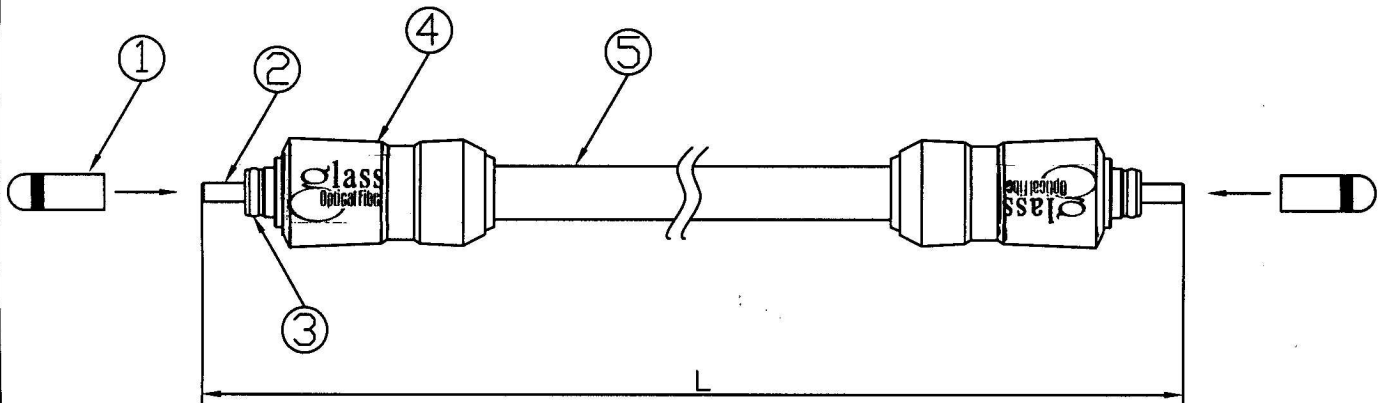


1.DIMENSION



NAME	L	NAME	L
GOF-DT700046DT-E	1.5FT457±20	GOF-DT70024DT-E	2400±50
GOF-DT70005DT-E	500±20	GOF-DT70025DT-E	2500±50
GOF-DT70009DT-E	3FT914±30	GOF-DT70030DT-E	3000±100
GOF-DT70010DT-E	1000±30	GOF-DT70031DT-E	10FT3048±100
GOF-DT70012DT-E	1200±30	GOF-DT70036DT-E	12FT3658±100
GOF-DT70015DT-E	1500±50	GOF-DT70050DT-E	5000±150
GOF-DT70018DT-E	6FT1830±50	GOF-DT700100DT-E	10000±200
GOF-DT70020DT-E	2000±50		

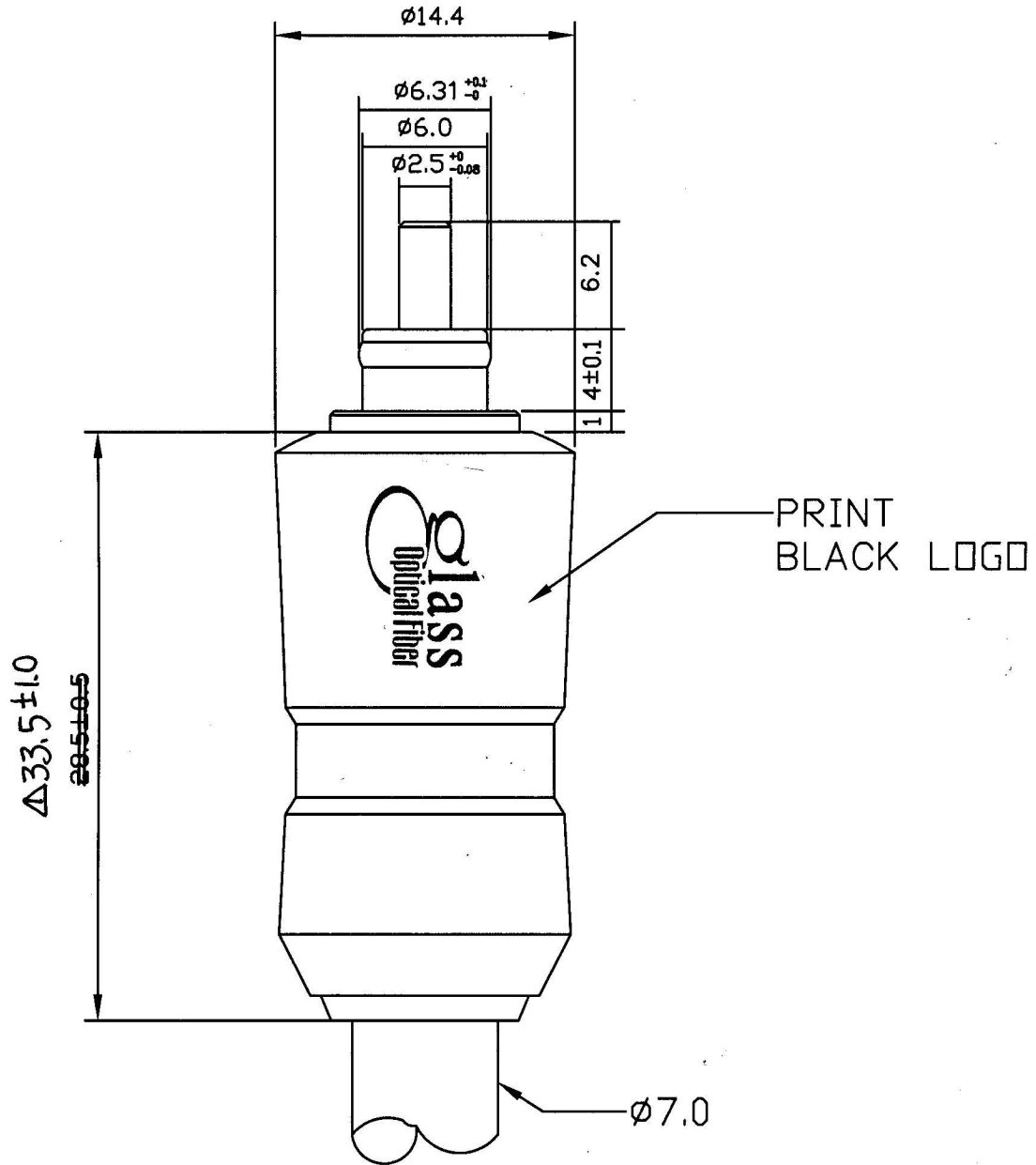
2.PART LISTS

NO	DESCRIPTION	MATERIAL	QT'Y	COLOR.FINISHED
1	PROTECTIVE CAP	PVC	2	TRANSPARENT
2	TIP	BRASS	2	GOLD PLATED
3	OPTICAL CONNECTOR (OPR)	BRASS	2	GOLD PLATED
4	SHELL	BRASS	2	SILIVER PLATED
5	CABLE ϕ 7.0	PVC	1	BLACK

REV:1

<input checked="" type="checkbox"/>					表面 FINISHED	www.Ruby-Electronics.com
<input checked="" type="checkbox"/>					顏色 COLOR	
<input checked="" type="checkbox"/>					厚度 THICKNESS	
<input checked="" type="checkbox"/>					處理 PROCESS	
<input checked="" type="checkbox"/>					材質 MATERIAL	
<input checked="" type="checkbox"/>	P2x1, SHELL LENGTH CHANGE	050519	RE	SHELL	公差 TOLERANCE	件 號 名 稱 圖 號
記號 MARK	修正 REVISION	日期 DATE	擔當承認 SIGN	APPO	比例 SCALE	PART NO GOF-DT700xxDT-E
承 認	APPROVED BY 17 05-5-17	CHECKED BY 許文勳 05.05.16	DESIGNED BY 許文勳 05.05.16	製 圖 DRAWN BY 許文勳 94.5.13	單位 UNIT	DESCRIPTION GLASS FIBER CABLE
					mm	DRAWN NO. SP-1663
						SHEET 1/5

3.TOSLINK PLUG DIMENSION

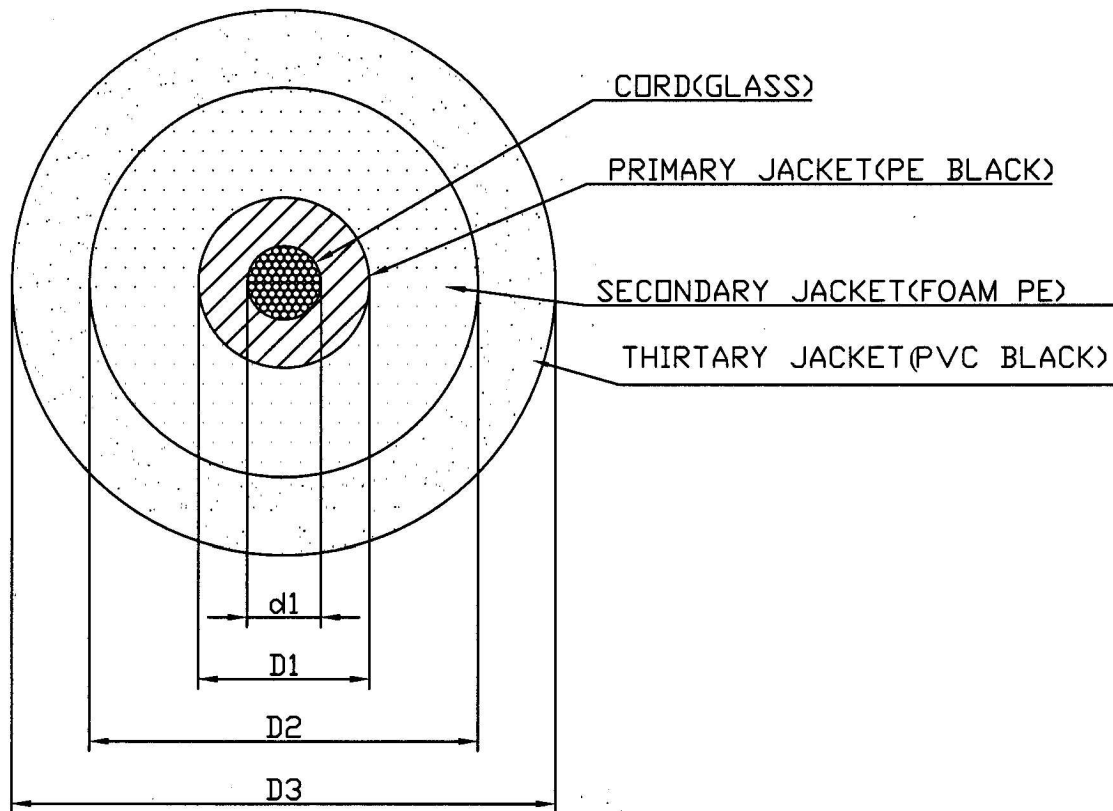


STS-3	
$L \leq 4$	± 0.2
$4 < L \leq 16$	± 0.3
$16 < L \leq 63$	± 0.4
$63 < L \leq 250$	± 0.5
$250 < L$	± 0.7

名 稱	DESCRIPTION. GLASS FIBER CABLE	圖 號	DRAWN NO. SP-1663	SHEET 2
--------	--	--------	-----------------------------	-------------------

WN-62-02

4. CABLE SPECIFICATION



CONDUCTOR	CORE OD:50um±4um
d1...CORE DIAMETER	∅ 1.0mm CORE:280PCS
D1...PRIMARY JACKET DIAMETER	∅ 2.2mm±0.07mm
D2...SECONDARY JACKET DIAMETER	∅ 5.0mm±0.1mm
D3...THIRDARY JACKET DIAMETER	∅ 7.0mm±0.2mm

4-1. CABLE CHARACTERISTIC

ITEM	UNIT	SPECIFICATION
STORAGE TEMPERATURE	°C	-40 ~ +80°C
OPERATION TEMPERATURE	°C	-40 ~ +80°C
MINIMUM BENDING RADIUS	mm	50

名 稱	DESCRIPTION. GLASS OPTICAL FIBER CABLE	圖 號	DRAWN NO. SP-1663	SHEET 3
--------	--	--------	-----------------------------	-------------------

5. CHARACTERIC

5 -1 Mechanical / Optical Characteristic

ITEM	CONDITIONS	JUDGEMENT
Transmission loss	λ p=650 nm	See below
Terminal strength	Apply static load of 29.4N for 30 sec at optional direction to the tip of plug.	No defects such as crack and losse at tip . Shall astisfy the mechanical and opticals charactertics .

5 -2 Environment

ITEM	CONDITIONS	JUDGEMENT
Temperature cycle	-20°C (30min) 25°C (10min) 70°C (30min) 10 cycles	Transmission loss variation 1dB or less
Pulling strength	Plug side --cord 49N 30 sec Plug side -- tip 16N 30 sec	
Fiber optic flexing strength	Weight 50g (initial bend at radius 30mm or more) 15 ~ 20 time / min Bending angle(θ) 90° apply for 1000 times.	
Optic connector operation	Use TOSHIBA TOSLINK JACK 500 times.	Insertion/Withdrawal force 6N~39.2N
ABS Non-Migration	Temperature : 54±1°C Time : 24±1H Weight : 500±25g	When visually inspected . Any staining of the area of the ABS that was in ontact with the test pieces shall hardly be recognized

5 - 3 Endurance Test

ITEM	CONDITIONS	JUDGEMENT
High temperature storage	70°C , 120 hours	Fiber optic output variation 1dB or less
Low temperature storage	-30°C , 120 hours	
Humidity resistance	40°C , 90% , 120 hours	
Operation temperature	-40°C ~ +85°C	

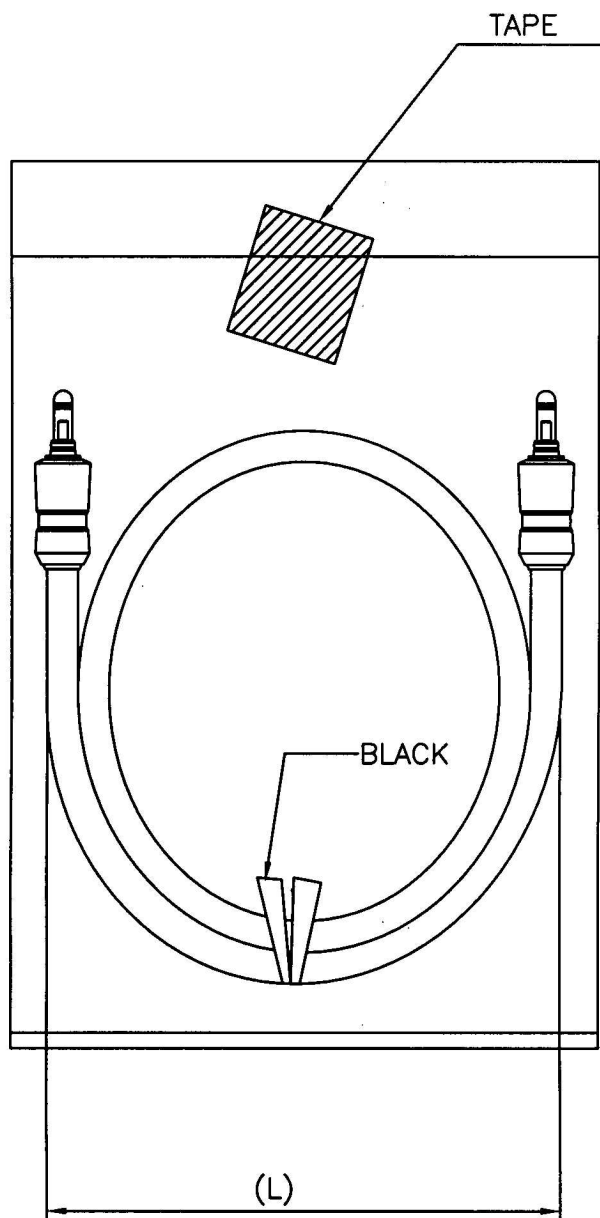
Remark : Do testing after 2 hours in normal temperature .

NAME	Transmission loss	NAME	Transmission loss
GOF-DT700046DT-E	2.0dB or less	GOF-DT70024DT-E	3.0dB or less
GOF-DT70005DT-E	2.0dB or less	GOF-DT70025DT-E	3.0dB or less
GOF-DT70009DT-E	2.0dB or less	GOF-DT70030DT-E	3.0dB or less
GOF-DT70010DT-E	2.5dB or less	GOF-DT70031DT-E	3.0dB or less
GOF-DT70012DT-E	2.5dB or less	GOF-DT70036DT-E	3.0dB or less
GOF-DT70015DT-E	2.5dB or less	GOF-DT70050DT-E	3.5dB or less
GOF-DT70018DT-E	2.5dB or less	GOF-DT700100DT-E	5.0dB or less
GOF-DT70020DT-E	3.0dB or less		

名 稱	DESCRIPTION. GLASS OPTICAL FIBER CABLE	圖 號	DRAWN NO. SP-1663	SHEET 4
--------	--	--------	-----------------------------	-------------------

WN-62-04

6. PACKAGE



NAME	L	NAME	L
GOF-DT700046DT-E	(90)	GOF-DT70024DT-E	(120)
GOF-DT70005DT-E	(90)	GOF-DT70025DT-E	(120)
GOF-DT70009DT-E	(110)	GOF-DT70030DT-E	(120)
GOF-DT70010DT-E	(120)	GOF-DT70031DT-E	(120)
GOF-DT70012DT-E	(120)	GOF-DT70036DT-E	(120)
GOF-DT70015DT-E	(120)	GOF-DT70050DT-E	(120)
GOF-DT70018DT-E	(120)	GOF-DT700100DT-E	(160)
GOF-DT70020DT-E	(120)		

名 稱	DESCRIPTION. GLASS FIBER CABLE	圖 號	DRAWN NO. SP-1663	SHEET 5
--------	--	--------	-----------------------------	-------------------

WN-62-05