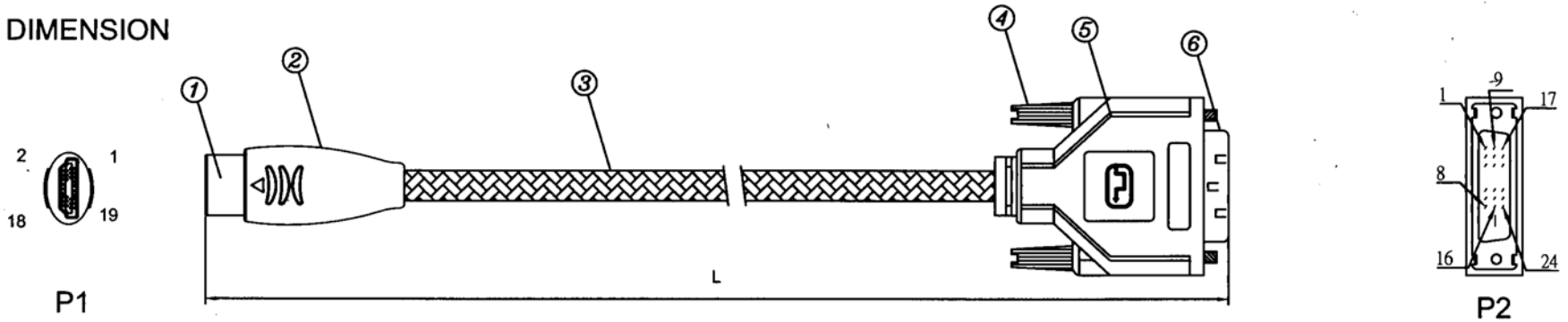


1. DIMENSION



NAME	L	NAME	L
HD-DV18-83005-G3	500±20	HD-DV18-83046-G3	15FT4576±100
HD-DV18-83009-G3	3FT914±30	HD-DV18-83050-G3	5000±150
HD-DV18-83010-G3	1000±30	HD-DV18-83076-G3	25FT7620±150
HD-DV18-83015-G3	1500±50	HD-DV18-830100-G3	10000±200
HD-DV18-83018-G3	6FT1830±50	HD-DV18-830107-G3	35FT10668±200
HD-DV18-83020-G3	2000±50		
HD-DV18-83025-G3	2500±50		
HD-DV18-83027-G3	9FT2743±100		
HD-DV18-83030-G3	3000±100		
HD-DV18-83036-G3	12FT3658±100		

1-1 NOTE:

- 1.100 %OPEN AND SHORT TESTING.
- 2.VOLTAGE : 500V DC
- 3.DIELECTRIC : 300V AC FOR 3ms
- 4.INSULATION RESISTENCE : 50M ohm
- 5.CONDUCTOR RESISTENCE : 3 ohm/M

1-2 PART LISTS

6	DVI-D 18PIN PLUG	BRASS GOLD PLATED
5	DVI PLUG CAP	PVC BLACK
4	DVI SCREW A'SSY	UNC#4-40 BRASS NICKEL PLATED BLACK
3	HDMI CABLE Ø8.3	NYLON NET BLACK
2	HDMI PL MOLDING	PVC BLACK
1	HDMI 19PIN PLUG	BRASS GOLD PLATED
NO.	PART'S NAME	MATERIAL. FINISHED. COLOR

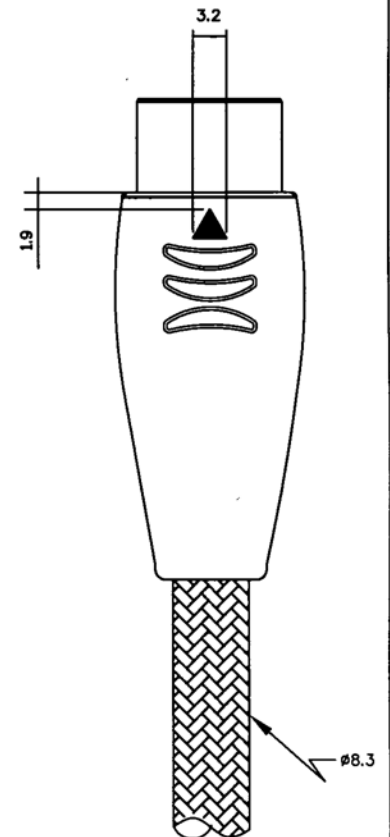
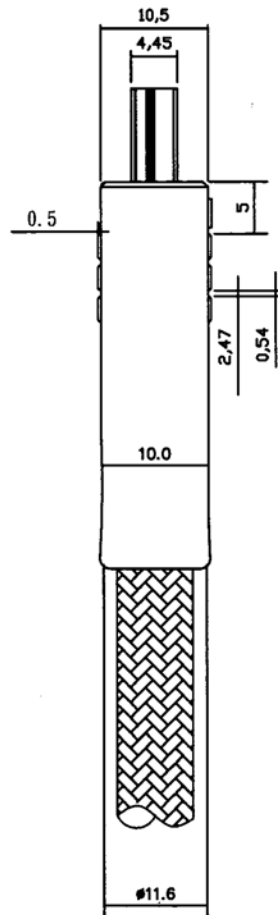
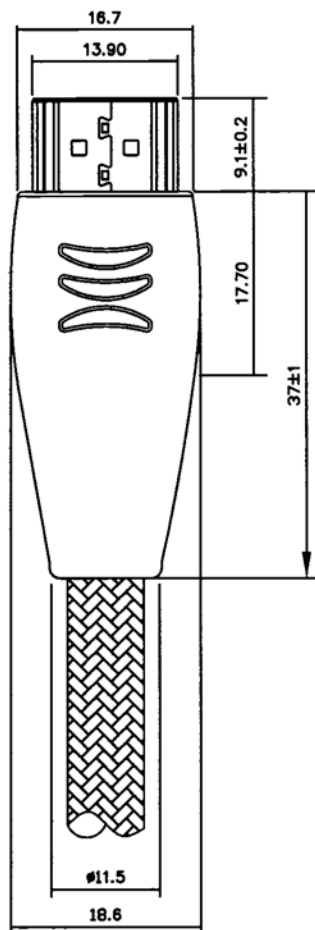
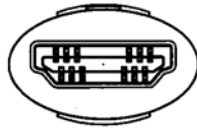
1-3 PINOUT:

P1	COLOR	P2	P1	COLOR	P2
1	WHITE/RED	2	10	WHITE/BROWN	23
2	BRAID	3	11	BRAID	22
3	WHITE	1	12	WHITE	24
4	WHITE/GREEN	10	15	PURPLE	6
5	BRAID	11	16	RED	7
6	WHITE	9	17	ORANGE	15
7	WHITE/BLUE	18	18	YELLOW	14
8	BRAID	19	19	WHITE	16
9	WHITE	17		BRAID	SHELL

REV : 1

▲				表面		www.Ruby-Electronics.com
▲				顏色		
▲				厚度		
▲				處理		
▲				材料		
比價	修正	日期	繪圖	審核	公認	件 PART NO
MARK	REVISION	DATE	DRAWN	CHECKED	DATE	HD-DV18-830xx-G3
承	檢	設	繪	核	日	名 DESCRIPTION
04-10-18	許文龍	04-09-20	許文龍	許文龍	04-09-20	HDMI-DVI18P
許文龍	許文龍	許文龍	許文龍	許文龍	許文龍	稱 CONNECTOR CABLE
						號 DRAWN NO.
						SP-1553
						號 SHEET
						1/6

2. HDMI PLUG DIMENSION



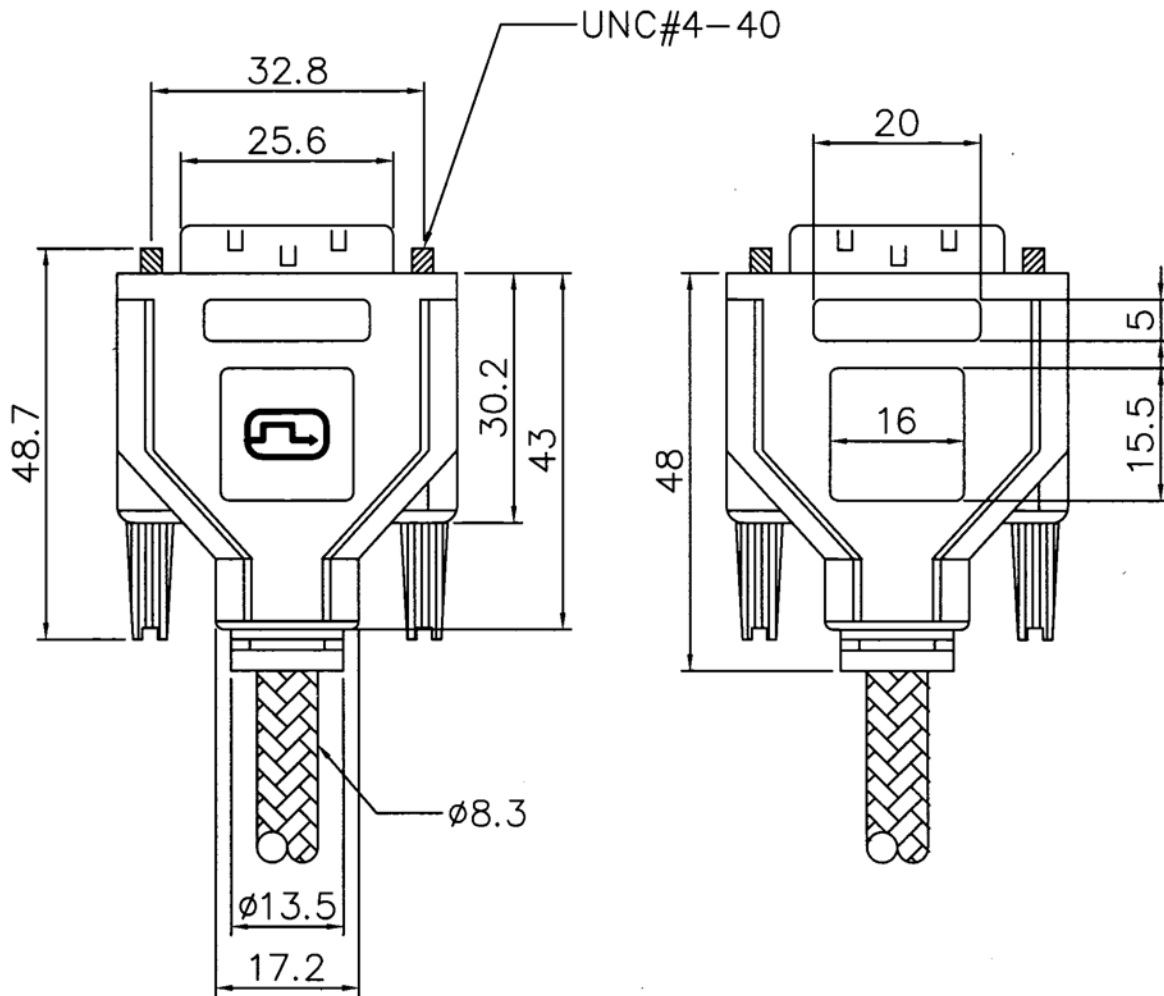
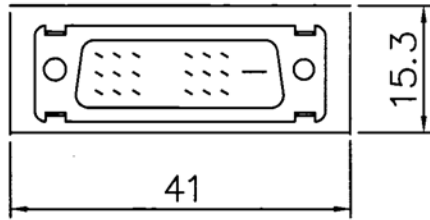
STS-3	
L ≤ 4	±0.2
4 < L ≤ 16	±0.3
16 < L ≤ 63	±0.4
63 < L ≤ 250	±0.5
250 < L	±0.7

名 DESCRIPTION
 稱 **HDMI-DVI18P CONNECTOR CABLE**

圖 DRAWN NO. **SP-1553**
 號

SHEET
2

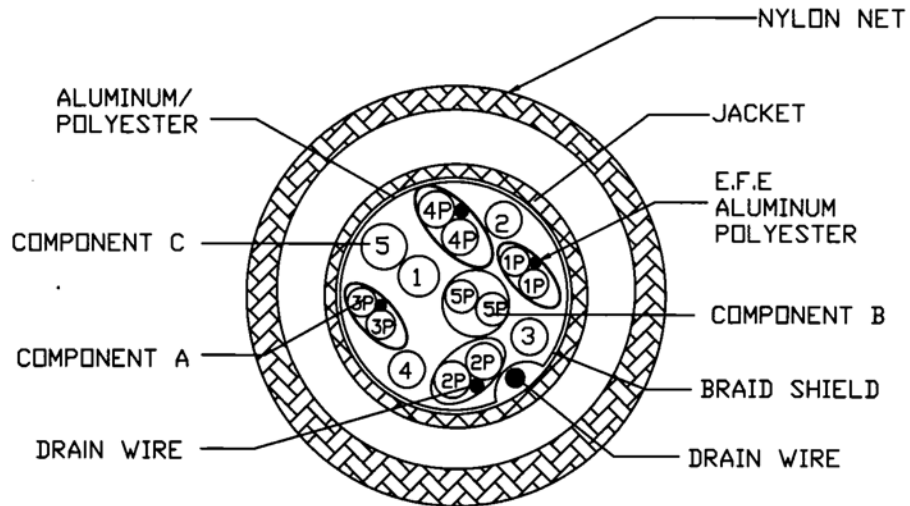
2-1.DVI-18P PLUG DIMENSION



STS-3	
L ≤ 4	±0.2
4L ≤ 16	±0.3
16L ≤ 63	±0.4
63L ≤ 250	±0.5
250L	±0.7

名 稱	DESCRIPTION. HDMI-DVI18P CONNECTOR CABLE	圖 號	DRAWN NO. SP-1553	SHEET 3
--------	--	--------	-----------------------------	-------------------

3. CORD SPEC.



3-1. Product description

Component A: (28AWG(7/0.127T)x1P+1TG)x4

Tinned copper stranded, Foam polyethylene (skin) insulated, twisted pair. (Each pair individually with 28AWG(7/0.127T) stranded tinned copper drain wire, Overall extended film edge aluminum/polyester shield).

Component B: 28AWG(7/0.127T)x1P:

Tinned copper stranded, high density polyethylene insulated, twisted pairs.

Component C: 28AWG(7/0.127T)x5C:

Tinned copper stranded, high density polyethylene insulated, multi-conductor.

Component A,B,C. together, overall aluminum/polyester shield, with 24AWG(7/0.20T)

stranded tinned copper drain wire, plus 85% minimum coverage tinned copper braid shield 16/10/0.12T.

Flame retardant PVC Jacket.

3-2. Insulation:

Conductor		Color code		
Component	AWG	MAT'L	O.D	
A	28 (7/0.127T)	FOAM PE (skin)	1.00±0.05mm	1P:White & Red 2P:White & Green 3P:White & Blue 4P:White & Brown
B	28 (7/0.127T)	H-D PE	0.70±0.03mm	5P:Yellow & Orange
C	28 (7/0.127T)	H-D PE	0.70±0.03mm	1.Black 2.Brown 3.Red 4.Green 5.Blue

名 稱	DESCRIPTION. HDMI-DVI18P CONNECTOR CABLE	圖 號	DRAWN NO. SP-1553	SHEET 4
--------	--	--------	-----------------------------	-------------------

3. CORD SPEC.

3-3. Jacket:

MAT'L	O.D	Color
FR-PVC	8.30±0.20mm	black
Marking	Not print word	

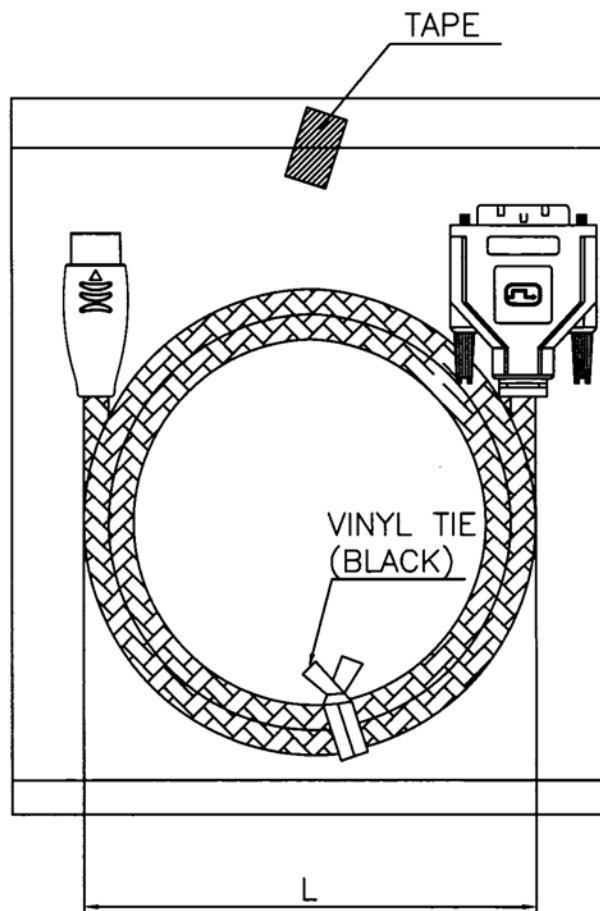
3-4. Electrical & Physical properties

- a. UL & CAS style: UL 20276
- b. Temperature & Voltage rating: 80°C 30V
- c. Conductor resistance: 28AWG--237 OHMS/KM max. at 20°C
- d. Spark test: 2KV In air.

名	DESCRIPTION.	圖	DRAWN NO.	SHEET
稱	HDMI-DVI18P CONNECTOR CABLE	號	SP-1553	5

WM-35-05

4. PACKAGE



NAME	L	NAME	L
HD-DV18-83005-G3	(90)	HD-DV18-83046-G3	(120)
HD-DV18-83009-G3	(110)	HD-DV18-83050-G3	(120)
HD-DV18-83010-G3	(120)	HD-DV18-83076-G3	(200)
HD-DV18-83015-G3	(120)	HD-DV18-830100-G3	(200)
HD-DV18-83018-G3	(120)	HD-DV18-830107-G3	(200)
HD-DV18-83020-G3	(120)		
HD-DV18-83025-G3	(120)		
HD-DV18-83027-G3	(120)		
HD-DV18-83030-G3	(120)		
HD-DV18-83036-G3	(120)		

名 DESCRIPTION.

HDMI-DVI18P CONNECTOR CABLE

圖 號

DRAWN NO.

SP-1553

SHEET

6

WM-35-06