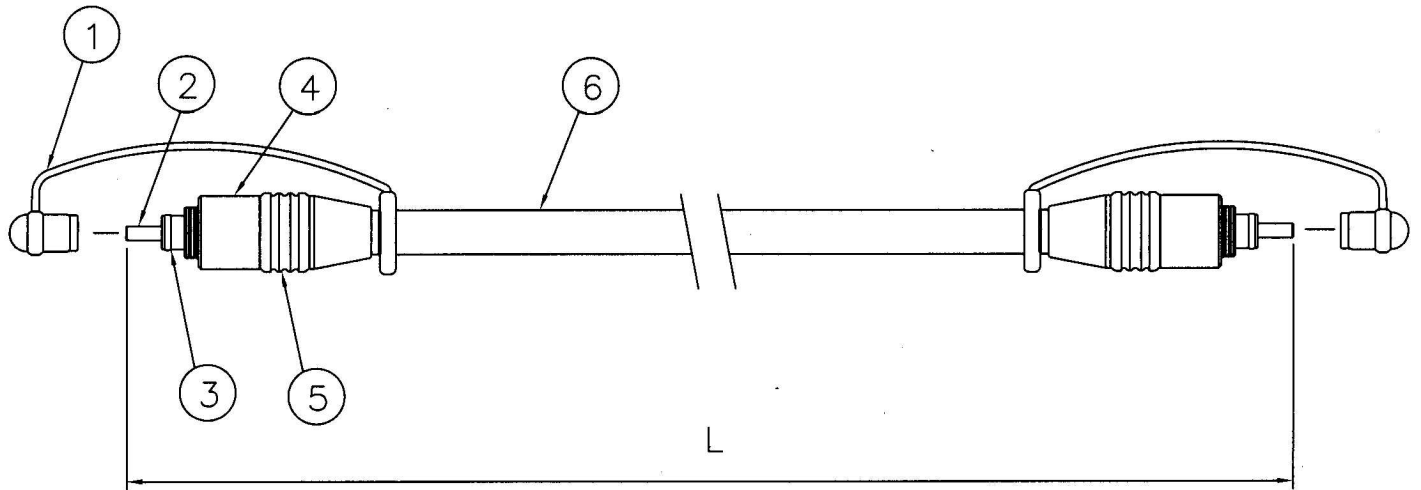


# 1. DIMENSION



NAME	L	NAME	L
OPR-M67005M-C	500±20	OPR-M67030M-C	3000±100
OPR-M67009M-C	3FT914±30	OPR-M67036M-C	12FT3654±100
OPR-M67010M-C	1000±30	OPR-M67040M-C	4000±100
OPR-M67012M-C	1200±30	OPR-M67050M-C	5000±150
OPR-M67015M-C	1500±50	OPR-M67076M-C	25FT7620±150
OPR-M67018M-C	6FT1828±50	OPR-M67091M-C	30FT9144±150
OPR-M67020M-C	2000±50	OPR-M670100M-C	10000±200
OPR-M67024M-C	2400±50	OPR-M670152M-C	50FT15240±250
OPR-M67025M-C	2500±50		

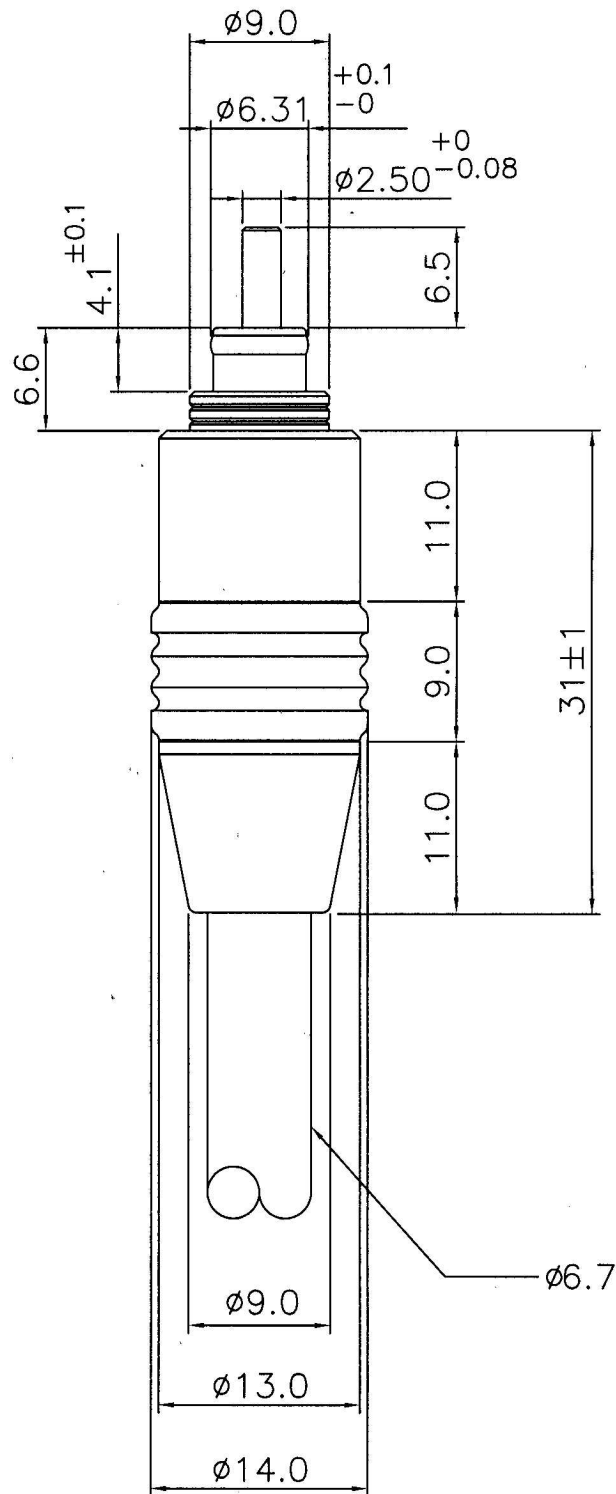
# 2. PART LISTS

NO	DESCRIPTION	MATERIAL	Q'TY	COLOR.FINISHED
1	PROTECTIVE CAP	PVC	2	TRANSPARENT
2	TIP(TOSLINK)	BRASS	2	GOLD PLATED
3	TOSLINK PLUG-OPR	BRASS	2	GOLD PLATED
4	SHELL	BRASS	2	SATIN NICKEL PLATED
5	SLEEVE	PVC	2	DARK GRAY 50
6	OPTICAL FIBER CABLE	PVC	1	BLACK

REV: 01

△						表面 FINISHED		<b>www.Ruby-Electronics.com</b>
△						顏色 COLOR		
△						厚度 THICKNESS		
△						處理 PROCESS		
△						材質 MATERIAL		
△						公差 TOLERANCE		
記號 MARK	修正 REVISION	日期 DATE	擔當 SIGN	承認 APPO		單位 UNIT		件 號 名 稱 圖 號
承 認	檢 圖	設 計	製 圖	技 術		比例 SCALE		PART NO <b>OPR-M670**M-C</b>
APPROVED BY 05-8-22	CHECKED BY 050822	DESIGNED BY 050822	DRAWN BY 04.8.22			單位 SCALE		DESCRIPTION <b>OPTICAL FIBER CABLE</b>
許文勳	許文勳	許文勳	何俊昇			單位 UNIT	<b>mm</b>	DRAWN NO. <b>SP-1674</b>
								SHEET <b>1/5</b>

### 3. TOSLINK DIMENSION

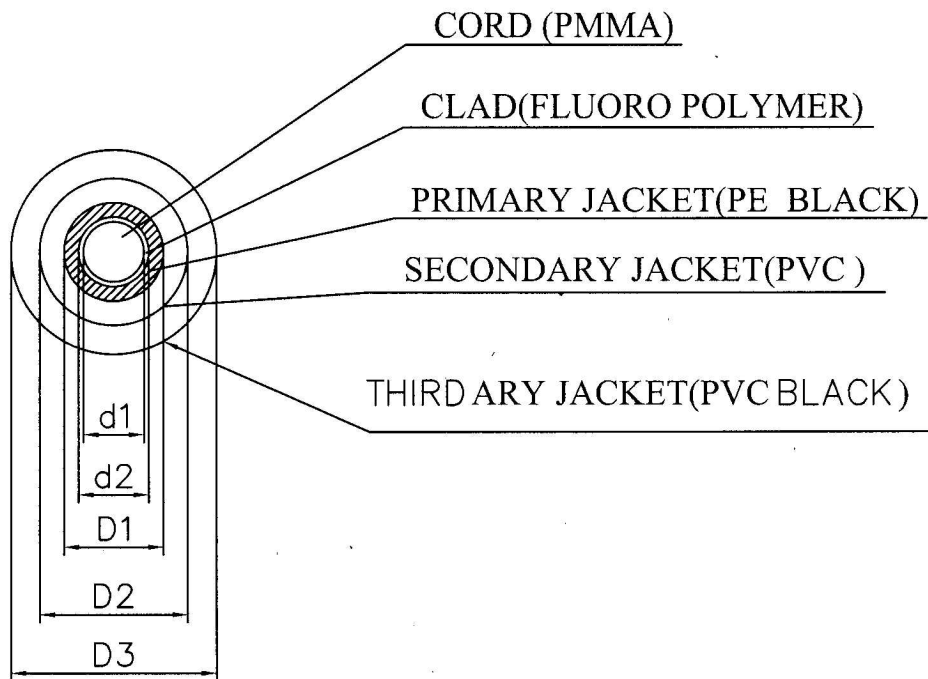


STS-3	
L ≤ 4	±0.2
4KL ≤ 16	±0.3
16KL ≤ 63	±0.4
63KL ≤ 250	±0.5
250KL	±0.7

名稱	DESCRIPTION.	圖號	DRAWN NO.	SHEET
	OPTICAL FIBER CABLE		SP-1674	

WM-73-02

## 4. CABLE SPECIFICATION



d1... CORE DIAMETER	φ 0.98mm
d2... CLAD DIAMETER	φ 1.0mm
D1... PRIMARY JACKET DIAMETER	φ 2.2±0.07mm
D2... SECONDARY JACKET DIAMETER	φ 4.8±0.1 mm
D3... THIR DARY JACKET DIAMETER	φ 6.7±0.2 mm

### 4-1. CABLE CHARACTERISTIC

ITEM	UNIT	SPECIFICATION
STORAGE TEMPERATURE	°C	-40~+85°C
OPERATION TEMPERATURE	°C	-40~+85°C
MINIMUM BENDING RADIUS	mm	30

名 稱	DESCRIPTION. <b>OPTICAL FIBER CABLE</b>	圖 號	DRAWN NO. <b>SP-1674</b>	SHEET <b>3</b>
--------	--	--------	-----------------------------	-------------------

WN-73-03

## 5. CHARACTERIC

### 5 -1 Mechanical / Optical Characteristic

ITEM	CONDITIONS	JUDGEMENT
Transmission loss	$\lambda p=650 \text{ nm}$	See below
Terminal strength	Apply static load of 29.4N for 30 sec at optional direction to the tip of plug.	No defects such as crack and losse at tip . Shall astisfy the mechanical and opticals charactertics .

### 5 -2 Environment

ITEM	CONDITIONS	JUDGEMENT
Temperature cycle	-20°C (30min) 25°C (10min) 70°C (30min) 10 cycles	Transmission loss variation 1dB or less
Pulling strength	Plug side --cord 49N 30 sec Plug side -- tip 16N 30 sec	
Fiber optic flexing strength	Weight 50g (initial bend at radius 30mm or more) 15 ~ 20 time / min Bending angle( $\theta$ ) 90° apply for 1000 times.	
Optic connector operation	Use TOSHIBA TOSLINK JACK 500 times. Use 3.5 OPT JACK 500 times.(3.5)	Insertion/Withdrawal force 6N~39.2N Insertion/Withdrawal force 4N~34.3N
ABS Non-Migration	Temperature : 54±1°C Time : 24±1H Weight : 500±25g	When visually inspected . Any staining of the area of the ABS that was in ontact with the test pieces shall hardly be recognized

### 5 - 3 Endurance Test

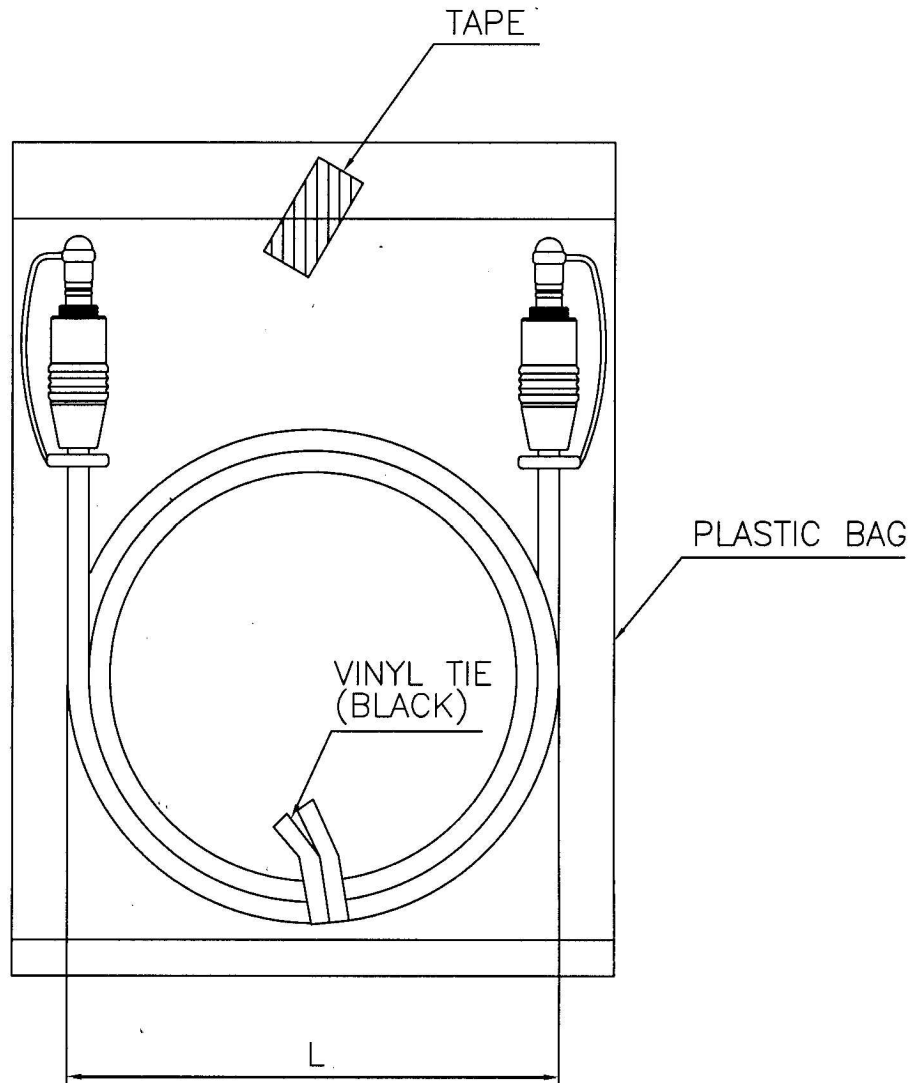
ITEM	CONDITIONS	JUDGEMENT
High temperature storage	70°C , 96 hours	Fiber optic output variation 1dB or less
Low temperature storage	-30°C , 96 hours	
Humidity resistance	40°C , 90% , 96 hours	
Operation temperature	-40°C ~ +85°C	

Remark : Do testing after 2 hours in normal temperature :

NAME	Transmission loss	NAME	Transmission loss
OPR-M67005M-C	1.0 dB or less	OPR-M67030M-C	2.0 dB or less
OPR-M67009M-C	1.0 dB or less	OPR-M67036M-C	2.0 dB or less
OPR-M67010M-C	1.5 dB or less	OPR-M67040M-C	2.5 dB or less
OPR-M67012M-C	1.5 dB or less	OPR-M67050M-C	2.5 dB or less
OPR-M67015M-C	1.5 dB or less	OPR-M67076M-C	3.0 dB or less
OPR-M67018M-C	1.5 dB or less	OPR-M67091M-C	3.5 dB or less
OPR-M67020M-C	2.0 dB or less	OPR-M670100M-C	4.0 dB or less
OPR-M67024M-C	2.0 dB or less	OPR-M670152M-C	5.0 dB or less
OPR-M67025M-C	2.0 dB or less		

名 稱	DESCRIPTION. <b>OPTICAL FIBER CABLE</b>	圖 號	DRAWN NO. <b>SP-1674</b>	SHEET <b>4</b>
--------	--	--------	-----------------------------	-------------------

# 6. PACKAGE



NAME	L	NAME	L
OPR-M67005M-C	(90)	OPR-M67030M-C	(120)
OPR-M67009M-C	(90)	OPR-M67036M-C	(120)
OPR-M67010M-C	(120)	OPR-M67040M-C	(120)
OPR-M67012M-C	(120)	OPR-M67050M-C	(120)
OPR-M67015M-C	(120)	OPR-M67076M-C	(140)
OPR-M67018M-C	(120)	OPR-M67091M-C	(160)
OPR-M67020M-C	(120)	OPR-M670100M-C	(160)
OPR-M67024M-C	(120)	OPR-M670152M-C	(180)
OPR-M67025M-C	(120)		

名 稱	DESCRIPTION. <b>OPTICAL FIBER CABLE</b>	圖 號	DRAWN NO. <b>SP-1674</b>	SHEET <b>5</b>
--------	--	--------	-----------------------------	-------------------

WN-73-05